

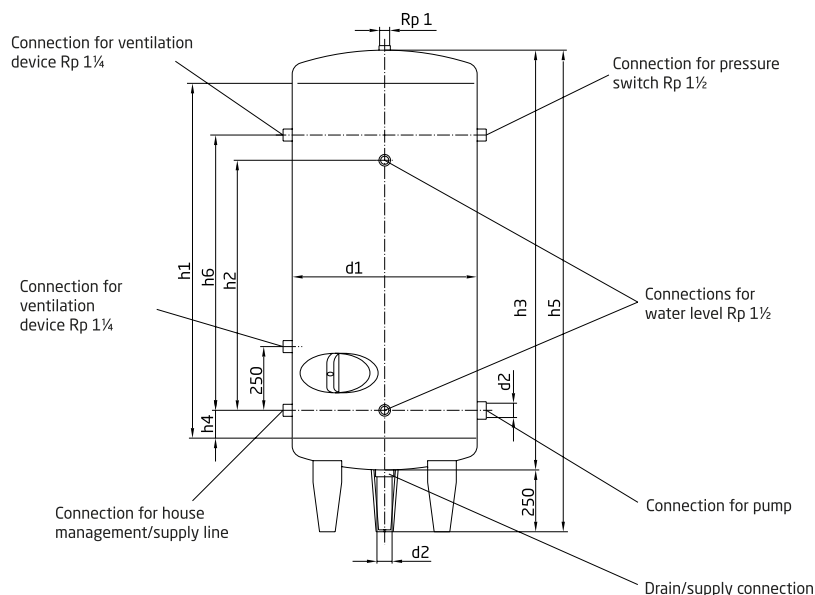
Abmessungen Druckkessel

Nenninhalt Liter	d1	d2	h1 +25/-0	h2 +/-5	h3 max.	h4 +/-3	h5 max.	h6 +/-5
150	450	Rp 2	790	500	1055	85	1275	500
300	550	Rp 2	1100	700	1405	85	1625	675
500	650	Rp 2	1310	700	1655	85	1875	800
750	800	Rp 2	1250	700	1665	85	1885	800
1000	800	Rp 2	1750	1000	2165	85	2385	1050
1500	1000	Rp 3	1560	1000	2060	120	2280	1000
2000	1100	Rp 3	1770	1000	2315	120	2535	1125
3000	1150	Rp 3	2500	1000	3085	120	3305	1500

Bestellinformationen

Positions-Nr. im Katalog	Artikel/Ausführung	Liter	Gewicht (kg)	Artikel-Nr.	UVP netto	UVP brutto
16	Druckkessel nach DIN 4810 - verzinkt einschließlich Werkzeugeugnis					
	6 bar	150	46,00	504.8600.150	425,21 €	506,00 €
		300	69,00	504.8600.300	529,41 €	630,00 €
		500	108,00	504.8600.500	719,33 €	856,00 €
		750	155,00	504.8600.750	1.089,08 €	1.296,00 €
		1000	192,00	504.8601.000	1.334,45 €	1.588,00 €
		1500	312,00	504.8601.500	3.408,40 €	4.056,00 €
		2000	382,00	504.8602.000	4.147,90 €	4.936,00 €
		3000	494,00	504.8603.000	5.042,02 €	6.000,00 €
	10 bar	150	54,00	504.8000.150	784,87 €	934,00 €
		300	92,00	504.8000.300	1.012,61 €	1.205,00 €
		500	141,00	504.8000.500	1.241,18 €	1.477,00 €
		750	200,00	504.8000.750	1.585,71 €	1.887,00 €
		1000	249,00	504.8001.000	2.060,50 €	2.452,00 €
		1500	414,00	504.8001.500	3.847,06 €	4.578,00 €
		2000	508,00	504.8002.000	4.420,17 €	5.260,00 €
		3000	701,00	504.8003.000	5.431,93 €	6.464,00 €

ACCESSORIES



Pressure vessel dimensions

Nominal capacity litres	d1	d2	h1 +25/-0	h2 +/-5	h3 max.	h4 +/-3	h5 max.	h6 +/-5
150	450	Rp 2	790	500	1055	85	1275	500
300	550	Rp 2	1100	700	1405	85	1625	675
500	650	Rp 2	1310	700	1655	85	1875	800
750	800	Rp 2	1250	700	1665	85	1885	800
1000	800	Rp 2	1750	1000	2165	85	2385	1050
1500	1000	Rp 3	1560	1000	2060	120	2280	1000
2000	1100	Rp 3	1770	1000	2315	120	2535	1125
3000	1150	Rp 3	2500	1000	3085	120	3305	1500

Order information

Item no. in catalogue	Article/design	Litre	Weight (kg)	Article no.	Net RRP	Gross RRP
16	Pressure vessel according to DIN 4810 - galvanised and including factory certification					
	6 bar	150	46.00	504.8600.150	425.21 €	506.00 €
		300	69.00	504.8600.300	529.41 €	630.00 €
		500	108.00	504.8600.500	719.33 €	856.00 €
		750	155.00	504.8600.750	1,089.08 €	1,296.00 €
		1000	192.00	504.8601.000	1,334.45 €	1,588.00 €
		1500	312.00	504.8601.500	3,408.40 €	4,056.00 €
		2000	382.00	504.8602.000	4,147.90 €	4,936.00 €
		3000	494.00	504.8603.000	5,042.02 €	6,000.00 €
	10 bar	150	54.00	504.8000.150	784.87 €	934.00 €
		300	92.00	504.8000.300	1,012.61 €	1,205.00 €
		500	141.00	504.8000.500	1,241.18 €	1,477.00 €
		750	200.00	504.8000.750	1,585.71 €	1,887.00 €
		1000	249.00	504.8001.000	2,060.50 €	2,452.00 €
		1500	414.00	504.8001.500	3,847.06 €	4,578.00 €
		2000	508.00	504.8002.000	4,420.17 €	5,260.00 €
		3000	701.00	504.8003.000	5,431.93 €	6,464.00 €