

**IN-VB 25 / IN-VB 40 / IN-VB 60**  
**IN-VB-S 25 / IN-VB-S 40 / IN-VB-S 60**

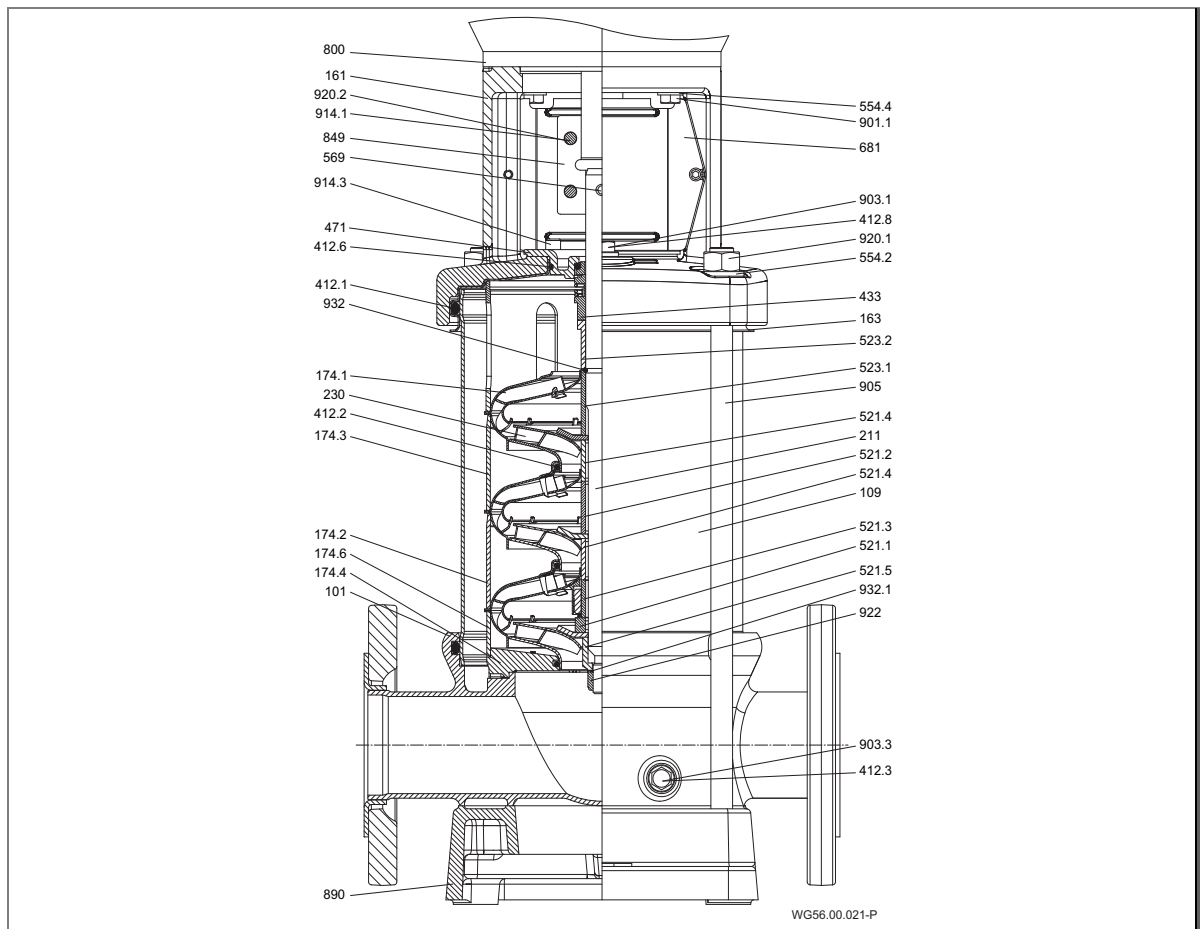


Abb. 21

|              |                           |              |                         |
|--------------|---------------------------|--------------|-------------------------|
| <b>101</b>   | Pumpengehäuse             | <b>521.3</b> | Stufenhülse             |
| <b>109</b>   | Stufenmantel              | <b>521.4</b> | Stufenhülse             |
| <b>161</b>   | Gehäusedeckel mit Laterne | <b>521.5</b> | Stufenhülse             |
| <b>163</b>   | Druckdeckel               | <b>523.1</b> | Wellenhülse             |
| <b>174.1</b> | Oberer Leitapparat        | <b>523.2</b> | Wellenhülse             |
| <b>174.2</b> | Leitapparat mit Lager     | <b>554.2</b> | Unterlegscheibe         |
| <b>174.3</b> | Leitapparat ohne Lager    | <b>554.4</b> | Unterlegscheibe         |
| <b>174.4</b> | Unterer Leitapparat       | <b>569</b>   | Spannstift für Kupplung |
| <b>183</b>   | Fuß                       | <b>681</b>   | Kupplungsschutz         |
| <b>211</b>   | Welle                     | <b>800</b>   | Motor                   |
| <b>230</b>   | Laufgrad                  | <b>849</b>   | Kupplung                |
| <b>270</b>   | Abweiser                  | <b>901.1</b> | Sechskantschraube       |
| <b>412.1</b> | O-Ring                    | <b>903.1</b> | Entlüftungsschraube     |
| <b>412.2</b> | O-Ring                    | <b>903.3</b> | Entleerungsschraube     |
| <b>412.3</b> | O-Ring                    | <b>905</b>   | Verbindungsschraube     |
| <b>412.6</b> | O-Ring                    | <b>914.1</b> | Innensechskantschraube  |
| <b>412.8</b> | O-Ring                    | <b>914.2</b> | Innensechskantschraube  |
| <b>433</b>   | Gleitringdichtung         | <b>914.3</b> | Innensechskantschraube  |
| <b>471</b>   | Dichtungsdeckel           | <b>920.1</b> | Sechskantmutter         |
| <b>504</b>   | Abstandsring              | <b>922</b>   | Laufgradmutter          |
| <b>521.1</b> | Stufenhülse               | <b>932</b>   | Sicherungsring          |
| <b>521.2</b> | Stufenhülse               | <b>932.1</b> | Sicherungsring          |

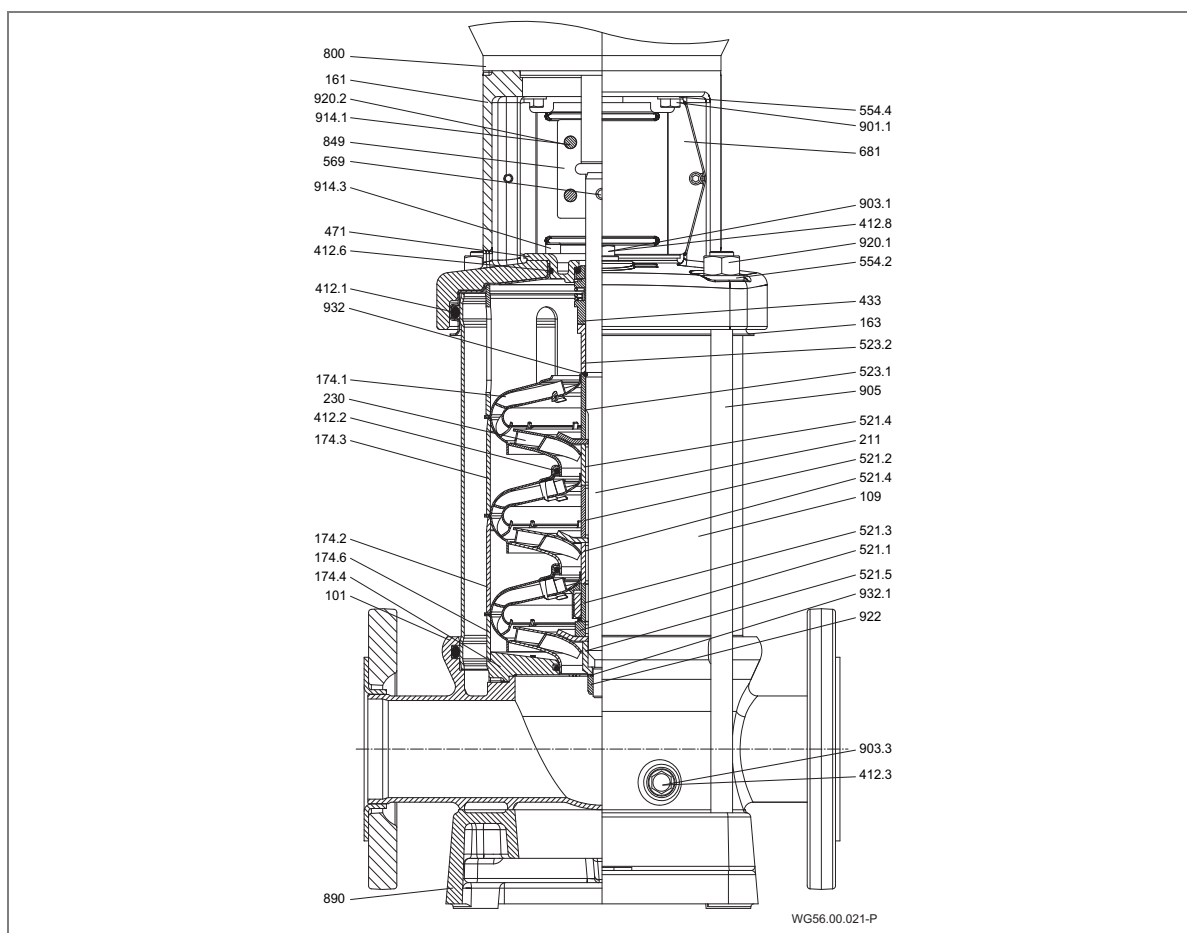
**IN-VB 25 / IN-VB 40 / IN-VB 60**  
**IN-VB-S 25 / IN-VB-S 40 / IN-VB-S 60**


Fig. 21

|              |                            |              |                      |
|--------------|----------------------------|--------------|----------------------|
| <b>101</b>   | Pump housing               | <b>521.3</b> | Spacer sleeve        |
| <b>109</b>   | Stage casing               | <b>521.4</b> | Spacer sleeve        |
| <b>161</b>   | Gland housing with lantern | <b>521.5</b> | Spacer sleeve        |
| <b>163</b>   | Discharge lid              | <b>523.1</b> | Seal gland           |
| <b>174.1</b> | Upper diffuser             | <b>523.2</b> | Seal gland           |
| <b>174.2</b> | Diffuser with bearing      | <b>554.2</b> | Washer               |
| <b>174.3</b> | Diffuser without bearing   | <b>554.4</b> | Washer               |
| <b>174.4</b> | Lower diffuser             | <b>569</b>   | Coupling pin         |
| <b>183</b>   | Foot                       | <b>681</b>   | Coupling guard       |
| <b>211</b>   | Shaft                      | <b>800</b>   | Motor                |
| <b>230</b>   | Impeller                   | <b>849</b>   | Coupling             |
| <b>270</b>   | Deflector                  | <b>901.1</b> | Hexagon screw        |
| <b>412.1</b> | O-ring                     | <b>903.1</b> | Screwed plug         |
| <b>412.2</b> | O-ring                     | <b>903.3</b> | Screwed plug         |
| <b>412.3</b> | O-ring                     | <b>905</b>   | Tie bolt             |
| <b>412.6</b> | O-ring                     | <b>914.1</b> | Hexagon socket screw |
| <b>412.8</b> | O-ring                     | <b>914.2</b> | Hexagon socket screw |
| <b>433</b>   | Mechanical seal            | <b>914.3</b> | Hexagon socket screw |
| <b>471</b>   | Seal lid                   | <b>920.1</b> | Hex nut              |
| <b>504</b>   | Spacer ring                | <b>922</b>   | Impeller nut         |
| <b>521.1</b> | Spacer sleeve              | <b>932</b>   | Circlip              |
| <b>521.2</b> | Spacer sleeve              | <b>932.1</b> | Circlip              |